

PELLE

BEAM AND GLOW

Product Name:

Beam 02 Sconce

Design Year:

2018

Designer / Manufacturer:

PELLE

Dimensions:

L 26in/66cm x W 4in/10cm x D 4in/10cm

LED Illumination:

Wattage: 12.41

Lumens: 802.4

Color Temperature: 2400K

Life Hours: 50,000

CRI: 95

Local TRIAC Dimmable Driver (120V)

Remote 0-10V Dimmable Driver (240V)

Mounting:

Wall or Flush-Mount

Materials:

Aluminum, integrated LED, Chromatic Resin Lens

Metal Finish Options:

Anodized: Silver, Black

Hand-Stained: Lilac, Green

Please inquire for custom anodized/hand-stained colors.

Lens Color:

Amber, Rose, Frosted

Certifications:

UL and cUL certification upon request

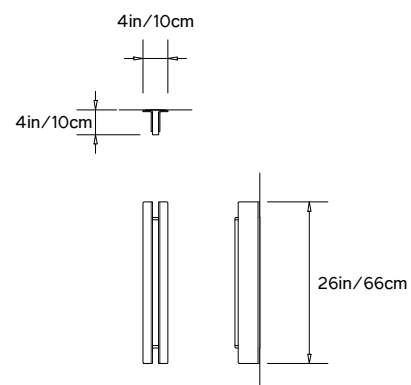
CE

Made in:

New York, USA



Pictured in Anodized Silver with Rose Lens



triode³ design

28, rue Jacob 75006 Paris
+33 (0)1 43 29 40 05

contact@triodedesign.com
www.triodedesign.com

PELLE

BEAM AND GLOW

Product Name:

Beam 04 Sconce

Design Year:

2018

Designer / Manufacturer:

PELLE

Dimensions:

L 47.75in/120cm x W 4in/10cm x D 4in/10cm

LED Illumination:

Wattage: 25.55

Lumens: 1652

Color Temperature: 2400K

Life Hours: 50,000

CRI: 95

Local TRIAC Dimmable Driver (120V)

Remote 0-10V Dimmable Driver (240V)

Mounting:

Wall or Ceiling

Materials:

Aluminum, integrated LED, Chromatic Lens

Metal Finish Options:

Anodized: Silver, Black

Hand-Stained: Lilac, Green

Please inquire for custom anodized/hand-stained colors.

Lens Color:

Amber, Rose, Frosted

Certifications:

UL and cUL certification upon request

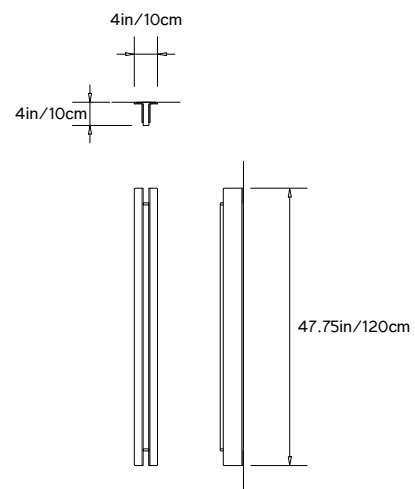
CE

Made in:

New York, USA



Pictured in Anodized Silver with Rose Lens



triode³ design

28, rue Jacob 75006 Paris
+33 (0)1 43 29 40 05

contact@triodedesign.com
www.triodedesign.com

PELLE

BEAM AND GLOW

Product Name:

Beam 06 Sconce

Design Year:

2018

Designer / Manufacturer:

PELLE

Dimensions:

L 69.25in/176cm x W 4in/10cm x D 4in/10cm

LED Illumination:

Wattage: 37.96

Lumens: 2454.4

Color Temperature: 2400K

Life Hours: 50,000

CRI: 95

Local TRIAC Dimmable Driver (120V)

Remote 0-10V Dimmable Driver (240V)

Mounting:

Wall or Flush-Mount

Materials:

Aluminum, integrated LED, Chromatic Resin Lens

Metal Finish Options:

Anodized: Silver, Black

Hand-Stained: Lilac, Green

Please inquire for custom anodized/hand-stained colors.

Lens Color:

Amber, Rose, Frosted

Certifications:

UL and cUL certification upon request

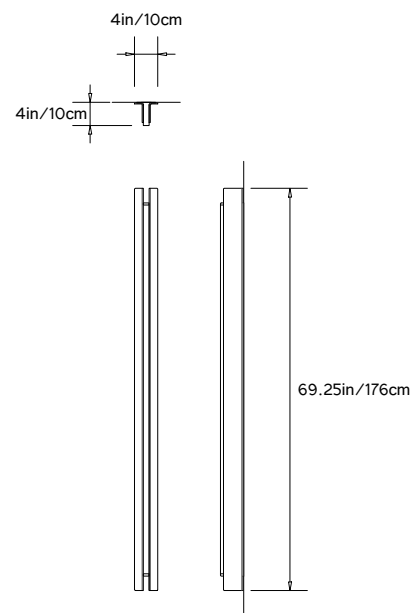
CE

Made in:

New York, USA



Pictured in Anodized Silver with Rose Lens



triode³ design