



HANDMADE  
IN U.S.A.

## Arc Dome 14"

CEI-014

The carefully shaped arc of the bent brass, hand-turned Black Walnut top and hand-blown glass globe serve both an aesthetic and functional purpose. This hand-spun 14" dome is meticulously brushed and waxed to a matte satin finish. The pendant is finished with a hand-blown glass diffuser.

### **Metal Finish Options**

Available in any Allied Maker metal finish

### **Wood Finish Options**

Available in any Allied Maker wood finish

### **Glass Options**

Opal, Clear, Frosted, Matte White, Smoked

triode

28 rue Jacob 75006 Paris    contact@triodedesign.com  
+33 (0)1 43 29 40 05    www.triodedesign.com





**Lamping**

120V - E26 Base  
240V - E27 Base

**Bulb Included**

**A19 Cree LED**  
12W (75W Equivalent) LED  
1100 Total Lumen Output  
2700K / 90 CRI  
E26 Base / Dimmable / 120 Volt  
240V available upon request

**J-Box Requirements**

Fits all standard  
junction boxes

**Certifications**

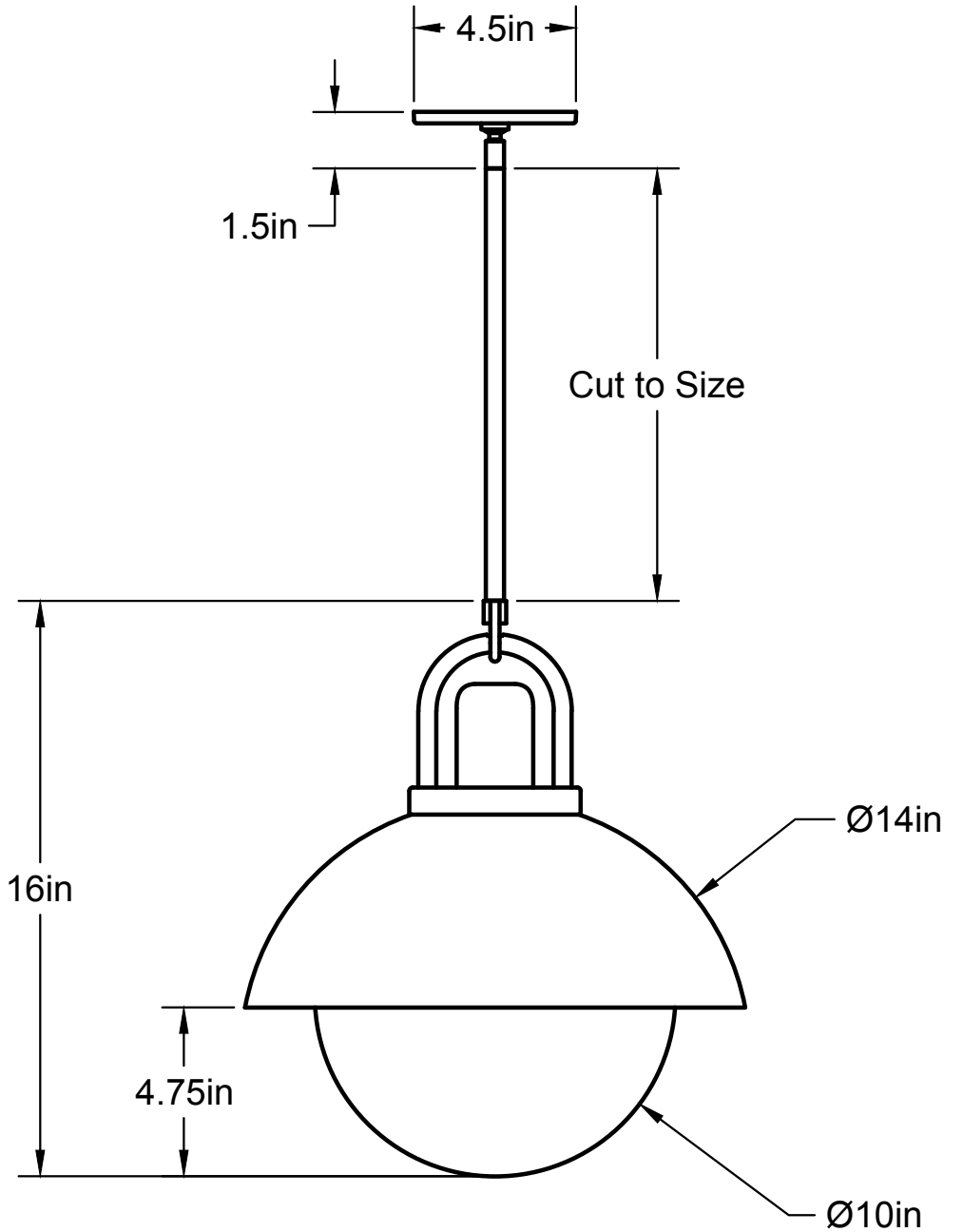
cUL Damp locations

**Materials**

Machined Brass,  
Blown Glass,  
Hardwood

**Weight**

12 lbs



triode