



Double Dome Table Lamp

TAB-007

This lamp features two of Allied Maker's signature shades; a hand-spun brass dome over a blown-glass globe. Symmetry and unity are created as both light sources join together as one through their hand-bent brass structure.

Metal Finish Options

Available in any Allied Maker metal finish

Wood Finish Options

Available in any Allied Maker wood finish

Glass Options

Opal, Clear, Frosted, Matte White, Smoked

triode

28 rue Jacob 75006 Paris contact@triodedesign.com
+33 (0)143 29 40 05 www.triodedesign.com





Lamping

120V - E26 Base
240V - E27 Base

Bulb Included

A19 Cree LED
2x 10W (60W Equivalent) LED
1630 Total Lumen Output
2700K / 90 CRI
E26 Base / Dimmable / 120 Volt
240V available upon request

Materials

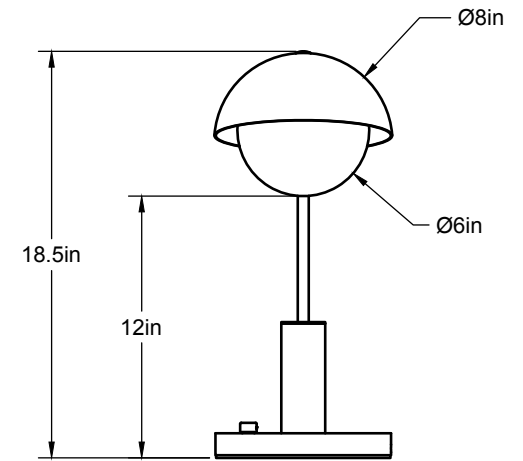
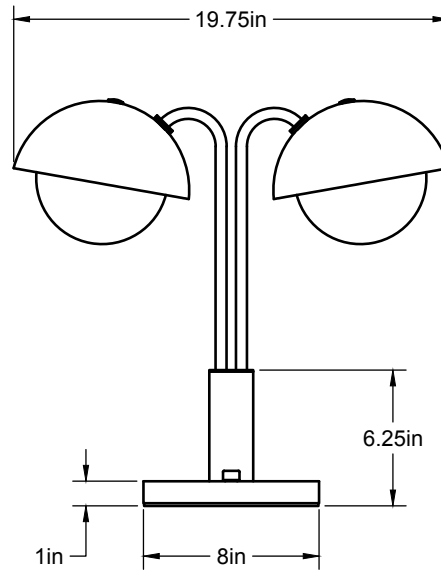
Machined Brass,
Blown Glass,
Hard Wood

Certifications

cUL Damp locations

Weight

14.25 lbs



triode