

PLUMB PENDANT LIGHT

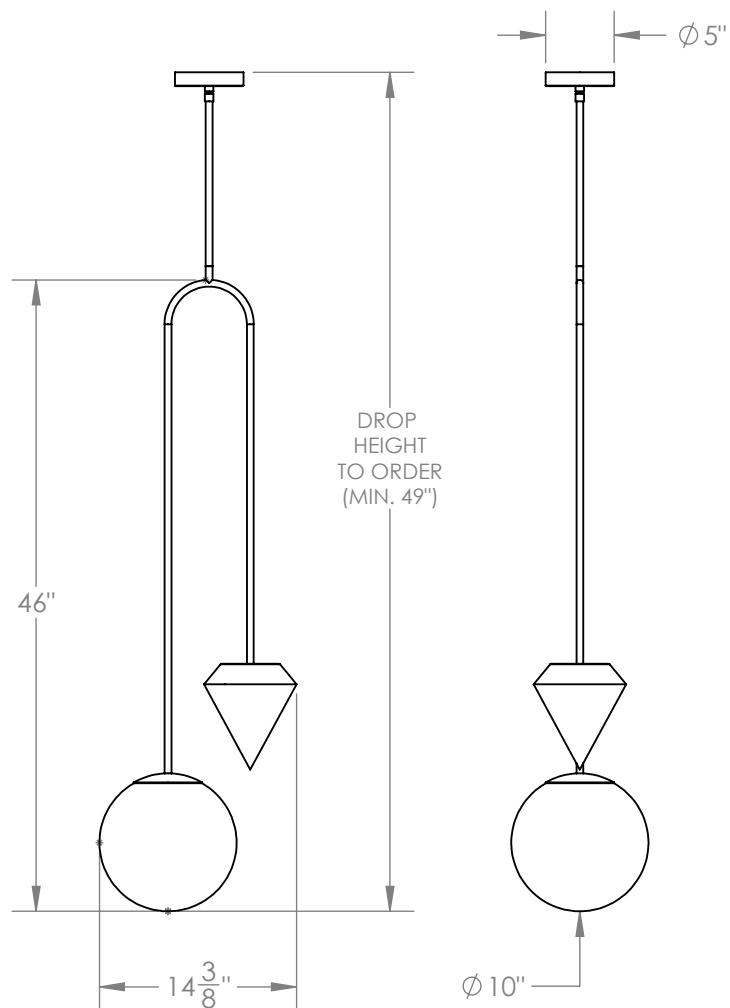
SHORT

triode



28 rue Jacob 75006 Paris contact@triodedesign.com
+33 (0)1 43 29 40 05 www.triodedesign.com

A white glass orb hangs side-by-side with our signature plumb weight, counter-balanced end points to a dramatic vertical arch.



Materials

Steel
Brass

Standard Finishes

Satin Black
Brushed Brass

Dimensions

14-³/₈" W x 46" H x 10" D
Overall height to order - minimum 49"

Notes

Lamping: 1 E26 bulb, max 75W. 5.5W dimmable LED bulb included. 465 lumens, 2700K color temperature. 120V, UL approved. (240V available)

Lead Time

8-10 Weeks

Customization Available - please contact us.

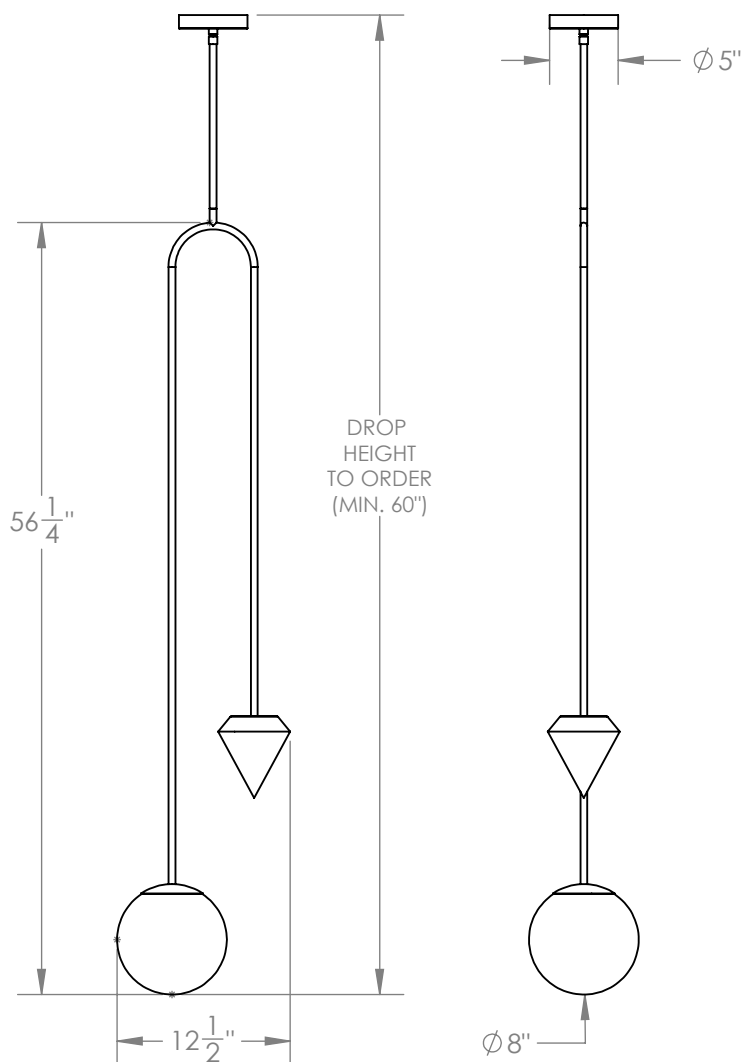
PLUMB PENDANT LIGHT

LONG

triode



28 rue Jacob 75006 Paris contact@triodedesign.com
 +33 (0)1 43 29 40 05 www.triodedesign.com



A white glass orb hangs side-by-side with our signature plumb weight, counter-balanced end points to a dramatic vertical arch.

Materials

Steel
 Brass

Standard Finishes

Satin Black
 Brushed Brass

Dimensions

12-1/2" W x 56-1/4" H x 8" D
 Overall height to order - minimum 60"

Notes

Lamping: 1 E26 bulb, max 75W. 5.5W dimmable LED bulb included. 465 lumens, 2700K color temperature. 120V, UL approved. (240V available)

Lead Time

8-10 Weeks

Customization Available - please contact us.