

# SPEAR PENDANT LIGHT

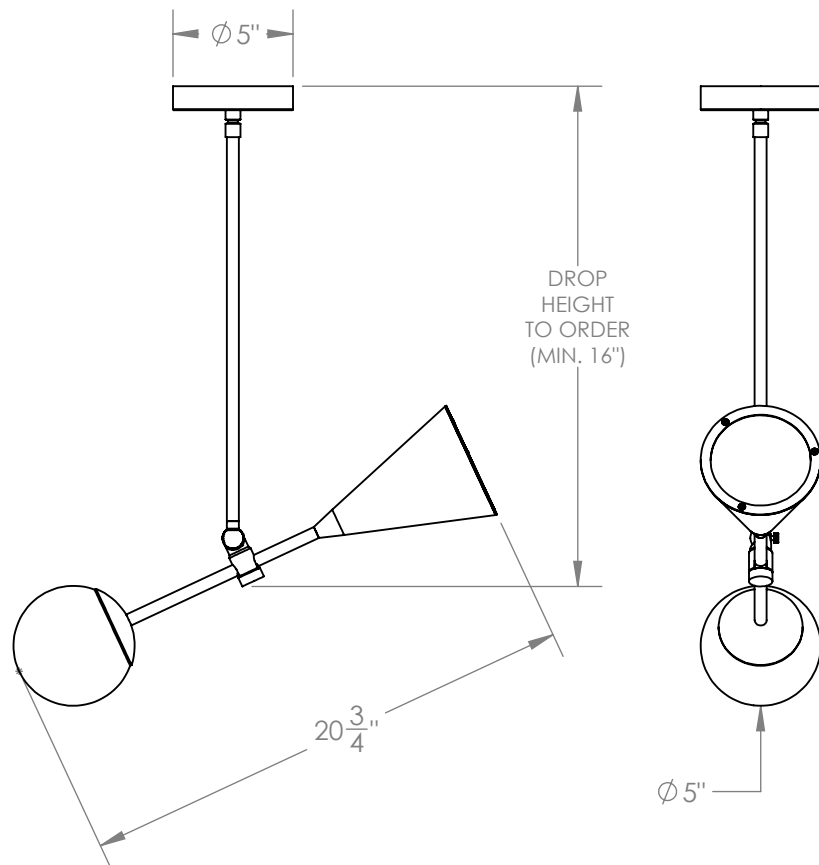
SMALL

triode



28 rue Jacob 75006 Paris contact@triodedesign.com  
+33 (0)1 43 29 40 05 www.triodedesign.com

A conical light source at one end and a handblown matte white glass orb on the other hold this piece in balance. The central hinge mechanism allows adjustment of the fixture to any desired angle.



## Materials

Steel  
Brass

## Standard Finishes

Satin Black  
White Frosted Glass

## Dimensions

20-<sup>3</sup>/<sub>4</sub>" W x 5" D x Variable H  
Overall height to order - minimum 16"

## Notes

Lamping: 2 E12 bulbs, max 75W each. 4.5W dimmable LED bulbs included. 450 lumens each, 2700K color temperature. 120V, UL approved. (240V available)

## Lead Time

8-10 Weeks

**Customization** Available - please contact us.

# SPEAR PENDANT LIGHT

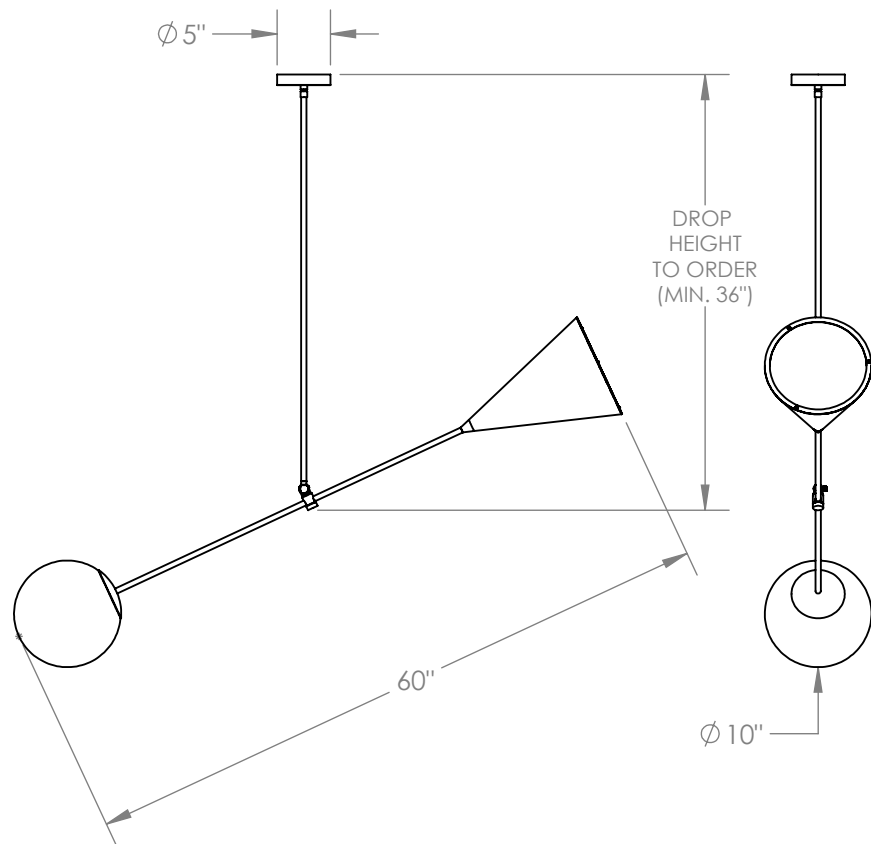
LARGE

triode



28 rue Jacob 75006 Paris contact@triodedesign.com  
+33 (0)1 43 29 40 05 www.triodedesign.com

A conical light source at one end and a handblown matte white glass orb on the other hold this piece in balance. The central hinge mechanism allows adjustment of the fixture to any desired angle.



## Materials

Steel  
Brass

## Standard Finishes

Satin Black  
White Frosted Glass

## Dimensions

60" W x 10" D x Variable H  
Overall height to order - minimum 36"

## Notes

Lamping: 2 E26 bulbs, max 75W each. 5.5W dimmable LED bulbs included. 465 lumens each, 2700K color temperature. 120V, UL approved. (240V available)

## Lead Time

8-10 Weeks

**Customization** Available - please contact us.