

Aperture Table Lamp



TAB-002



# Aperture Table Lamp



TAB-002

## DESCRIPTION

The Aperture series was created to provide a beautiful quality of light by combining bounce and ambient glow. The light source is held in a hand-spun perforated brass dome on one side, while a hand-bent tube arcs around the other; Diffusing and bouncing light within a hand-bent glass shade.

## MATERIALS

Brass, Glass, Wood

## METAL FINISHES

Available in All Standard Metal Finishes

## GLASS FINISHES

Opal, Skytek

## WOOD FINISHES

Available in All Standard Wood Finishes

## MOUNTING

Universal

## WEIGHT

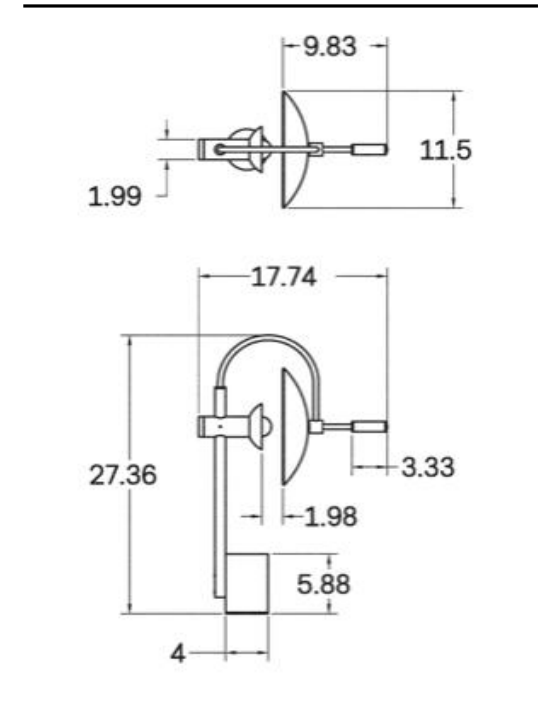
29.25 lb

## LAMPING

E12 or E14 Screw Base. Type G16.5 Lamps

## BULB INCLUDED (120V USA)

Feit 5.5W E12 Bulb



## CERTIFICATIONS

CE, Damp Locations, UL and cUL Certified



## DIMENSIONAL DRAWING