

triode

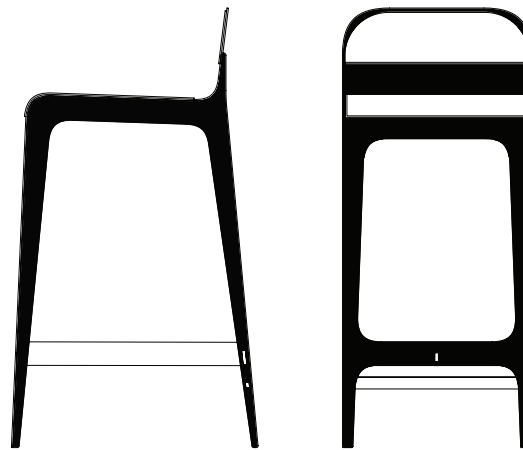
28 rue Jacob 75006 Paris contact@triodedesign.com  
+33 (0)1 43 29 40 05 www.triodedesign.com

---

# BARDOT

Counter & Bar Stool

---



GABRIEL SCOTT  
EST 2012



# BARDOT

## Counter & Bar Stool

1/4

The epitome of chic, with distinct legs and a beautiful silhouette, the BARDOT series is aptly named after the French style icon.

Strutting atop a base of black steel with distinct brass, copper and nickel hardware; thin profiled seats and back cushions are hand stitched in fine French pebbled leather – available in nude pink, slate grey, navy blue or black options. Available in chair, counter-height and bar-height stool options.

All Gabriel Scott pieces are handmade in Canada.



GABRIEL SCOTT

EST. 2012



# BARDOT

Counter & Bar Stool

2/4



GABRIEL SCOTT

EST. 2012



# BARDOT

Counter & Bar Stool

---

3/4



---

GABRIEL SCOTT



# BARDOT

## Counter & Bar Stool

4/4

triode

28 rue Jacob 75006 Paris contact@triodedesign.com  
+33 (0)1 43 29 40 05 www.triodedesign.com

### Spec sheet

Product name: Bardot Counter & Bar Stool

Standard Leadtime: 8 - 10 weeks

Dimensions: Counter Height 16" x 20" x 30" H  
Bar Height 16" x 21" x 37" H

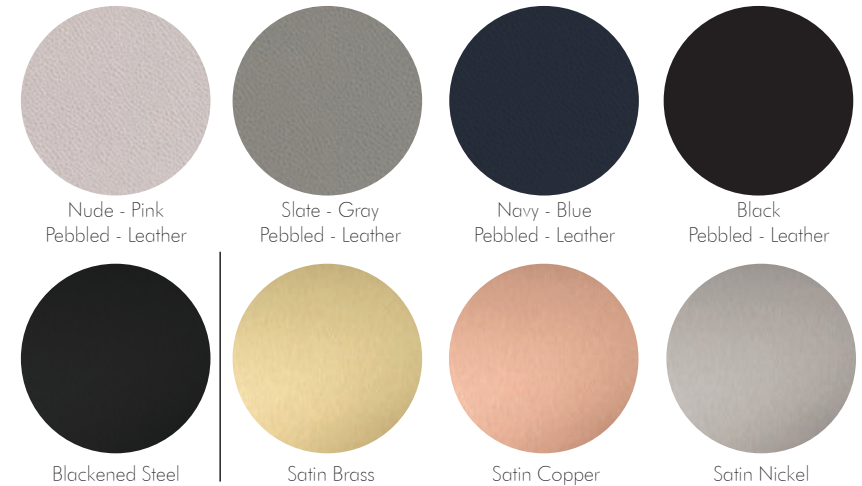
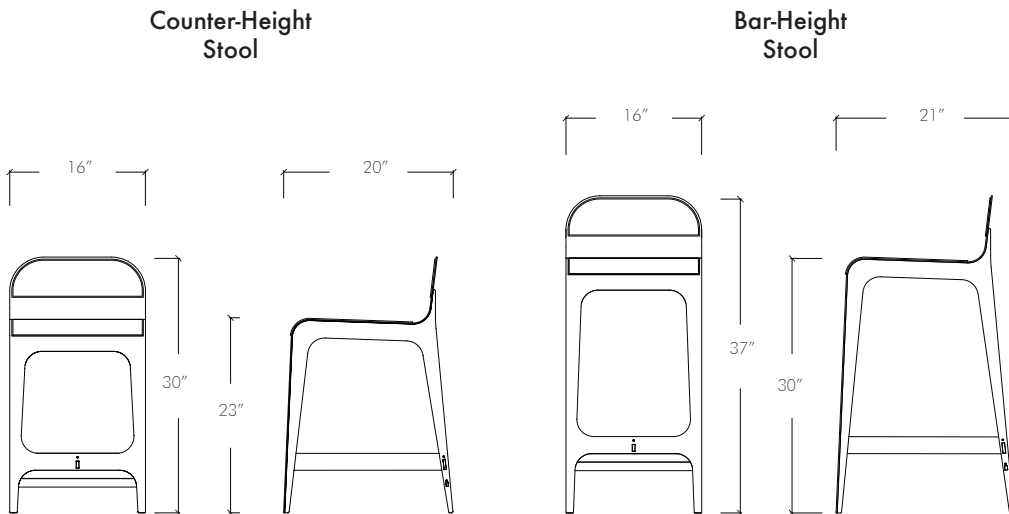
### Standard Finishes

Standard Finish Options:

Base: **Matte Black**

Hardware: **Satin Brass, Satin Copper or Satin Nickel**

Pebbled French Leather: **Nude-Pink, Slate-Gray, Navy Blue or Black**



GABRIEL SCOTT

EST 2012

