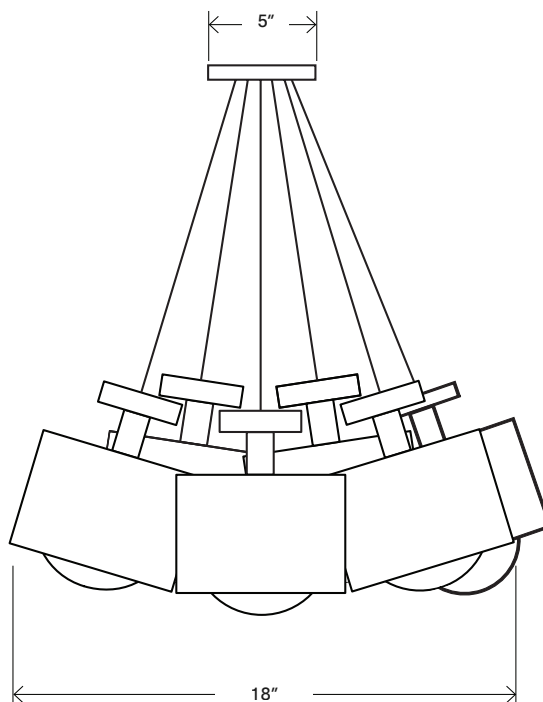


# Spun Cluster

triode

28 rue Jacob 75006 Paris  
+33 (0)1 43 29 40 05

contact@triodedesign.com  
www.triodedesign.com



6-LIGHT CLUSTER

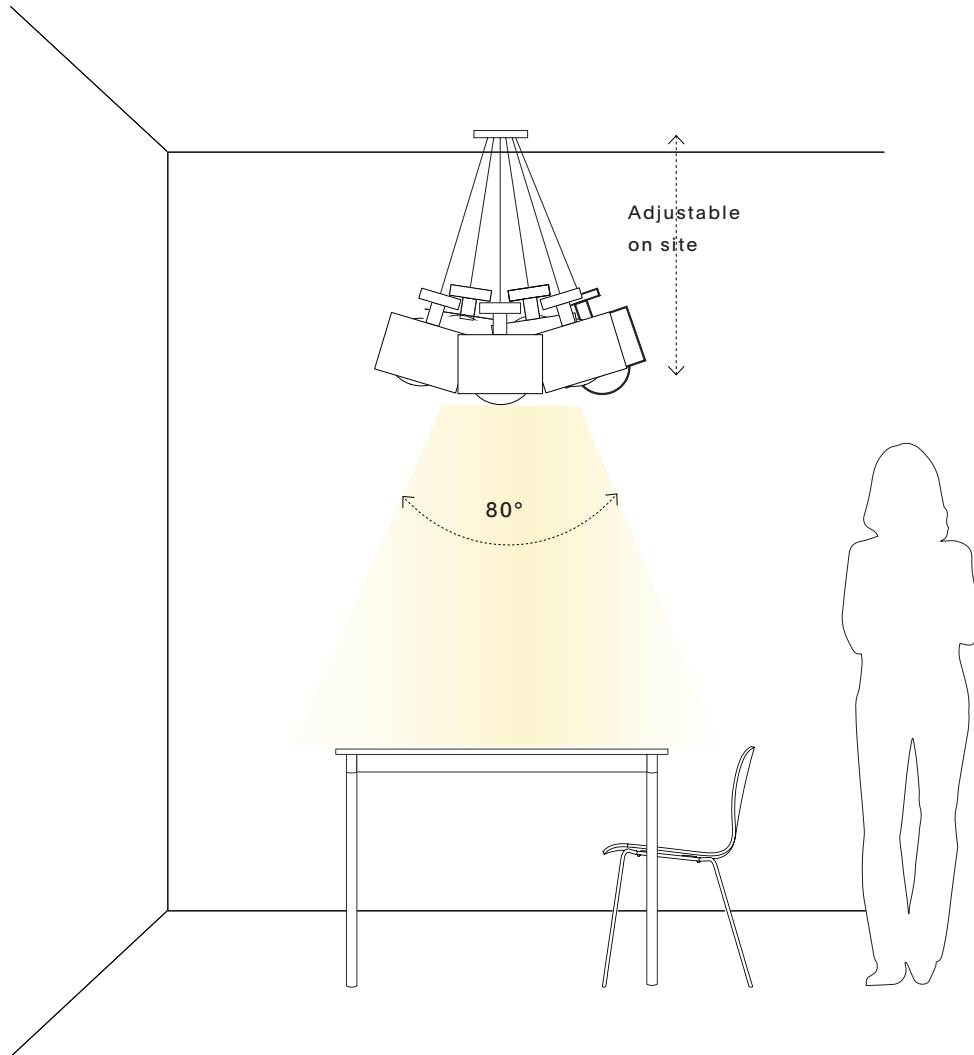
## APPEARANCE

Materials	Brass or glass, maple, powder coated steel
Suspension	8' warm dark grey fabric, adjustable
Canopy	5" round matte black (black shade) or matte white (brass and glass shade)
Finishes	See Material Options page
Customize	Finish, cord, configuration

## TECHNICAL

Socket / Lamp	E26 ; bulb: G25/G125 globe
Watt / Volt	Max 60W (per lamp); line voltage to 300v
Compatability	Most international
Certification	UL, cUL
Weight	Variable
Leadtime	8-10 weeks

# Spun Cluster



## REC. USE / SPACES

- Dining Room
- Living Room (Coffee table)
- Stairwells
- Lobby / Front Desk



### BULB

Sold separately  
G25/G95  
E26/27 base  
60w Max



### COLOR TEMP

2700K  
recommended



### LUMENS SCALE

Variable upon bulb  
used.



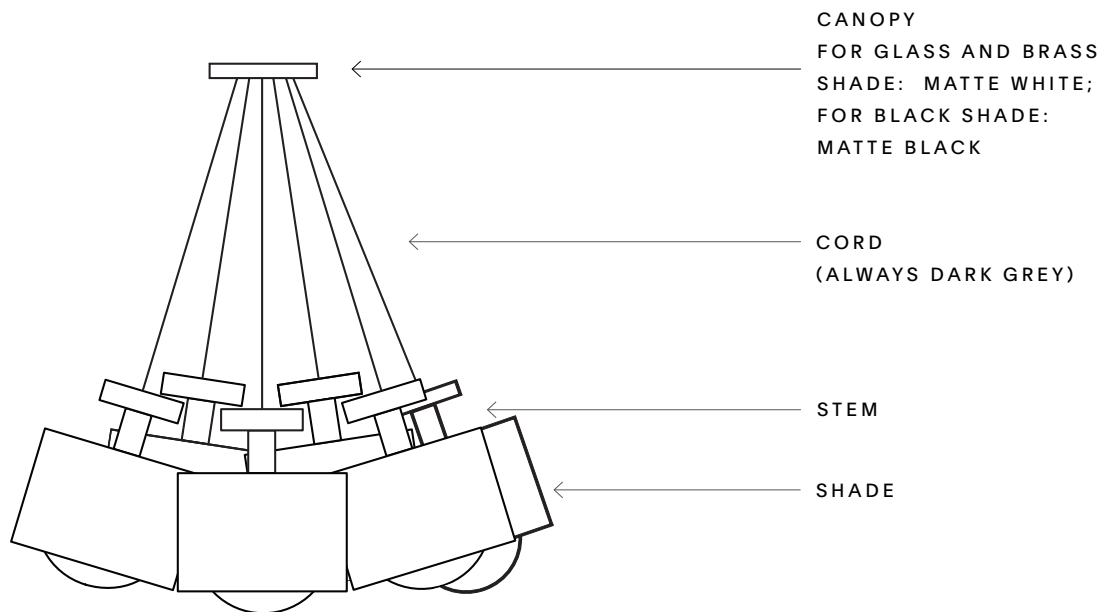
### DIMMING

Dimmable bulb  
required

### OTHER NOTES

Electronic wall  
dimmer required

# Spun Cluster



## MATERIAL OPTIONS

\*A vast array of custom materials and finishes are available for most products upon request.

## SHADE & STEM COMBINATIONS



Brass  
(brushed)



Glass  
(frosted)



Black Powder  
Coat (matte)



Glass  
(rust)



Glass  
(cream)

+

+

+

+

+



Copper  
Stem



Copper  
Stem



Brass  
Stem



Brass  
Stem



Brass  
Stem

# Spun Cluster

