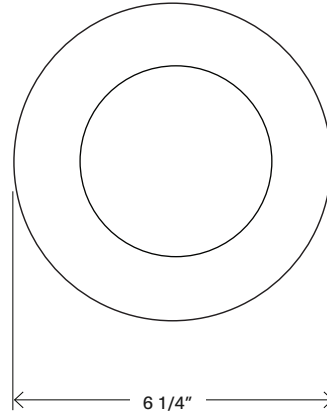
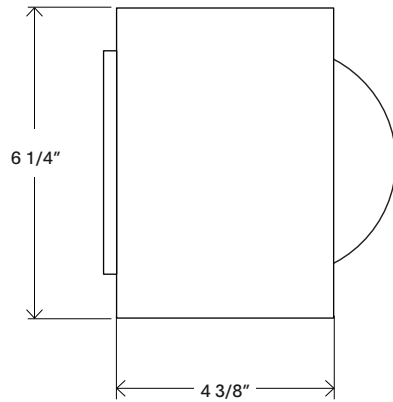


# Spun Sconce

triode

28 rue Jacob 75006 Paris  
+33 (0)1 43 29 40 05

contact@triodedesign.com  
www.triodedesign.com



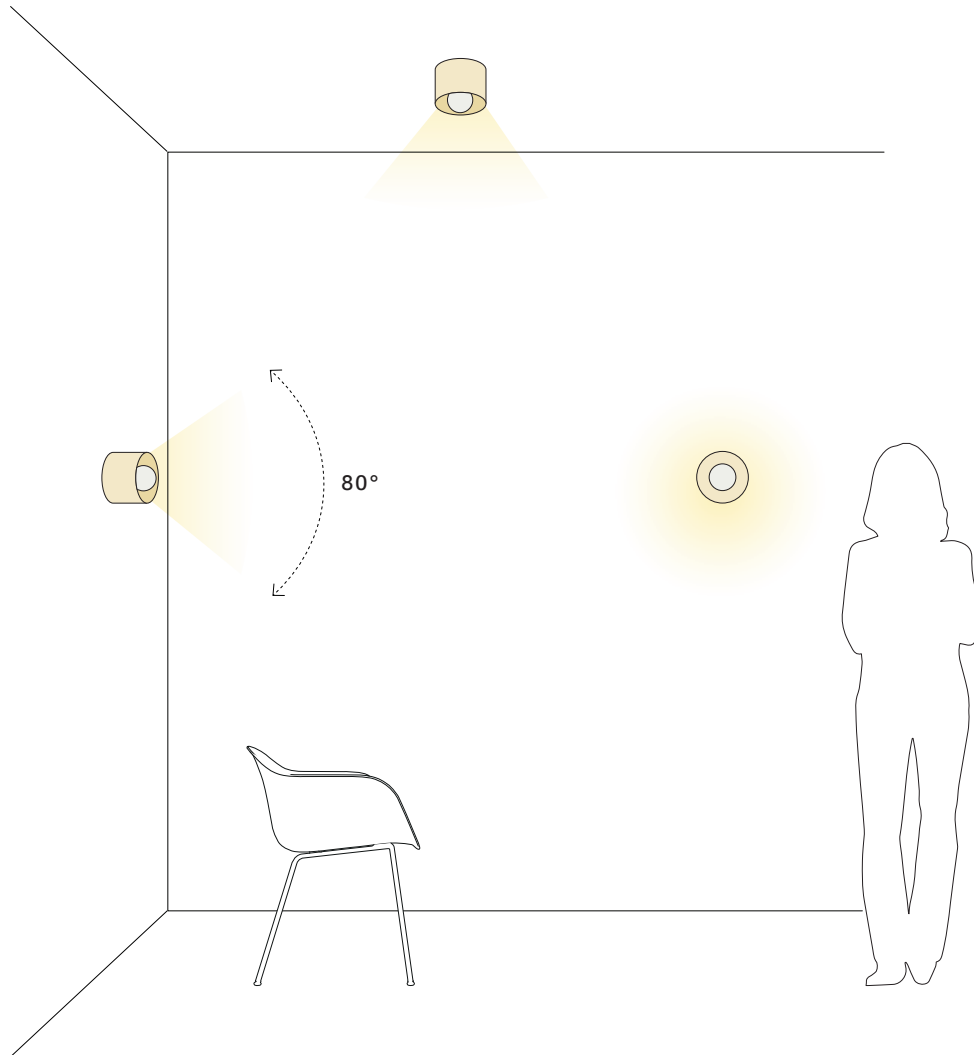
## APPEARANCE

Materials	Brass or glass, maple, powder coated steel
Finishes	See Material Options page
Customize	Finish

## TECHNICAL

Socket / Lamp	E26 ; bulb: G25/G125 globe
Watt / Volt	Max 60W; line voltage to 300v
Compatability	Most international
Certification	UL, cUL
Weight	4 lb.
Leadtime	8-10 weeks

# Spun Sconce



## REC. USE / SPACES

- Hallways
- Kitchen counters
- Bedside
- Commercial Dining
- Flush mount ceiling fixture



### BULB

Sold separately  
G25/G95  
E26/27 base  
60w Max



### COLOR TEMP

2700K  
recommended



### LUMENS SCALE

Variable upon bulb  
used.



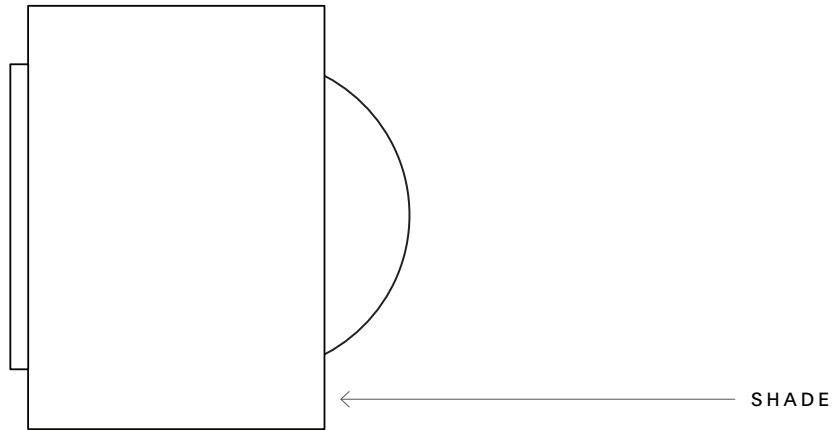
### DIMMING

Dimmable bulb  
required

### OTHER NOTES

Electronic wall  
dimmer required

# Spun Sconce



## MATERIAL OPTIONS

\*A vast array of custom materials and finishes are available for most products upon request.

## SHADE

---



Brass  
(brushed)



Glass  
(frosted)



Black Powder  
Coat (matte)



Glass  
(rust)



Glass  
(cream)

# Spun Sconce

