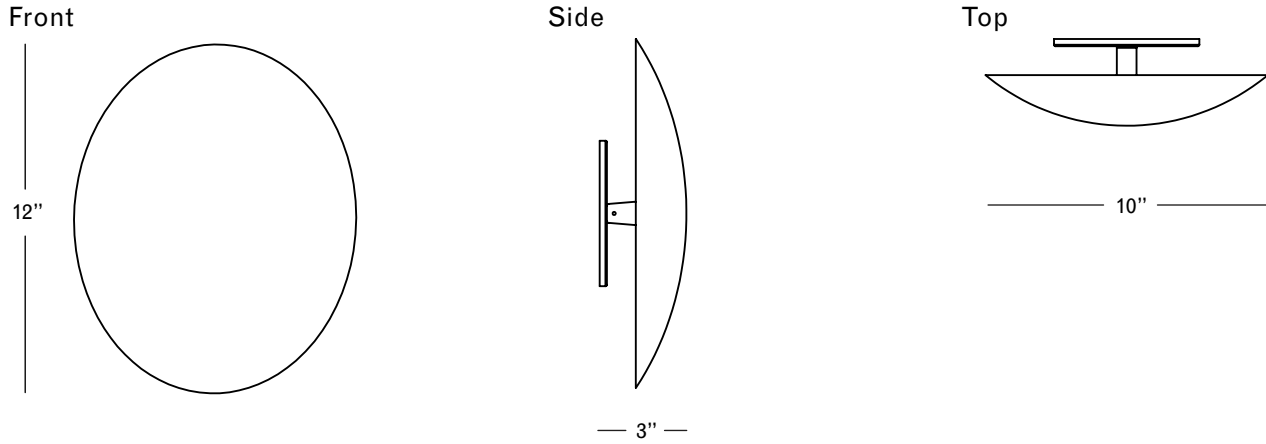


Hammered Bronze
Brushed Brass



Finishes



Brushed Brass

16 weeks



Oil Rubbed Bronze

16 weeks



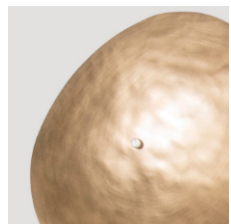
Satin Nickel

16 weeks



Vintage Brass

16 weeks



Hammered Bronze

Specifications

Height: 12in / 30cm
 Depth: 3in / 8cm
 Width: 10in / 25cm
 Weight: 5lb / 3kg
 Max Wattage: 50w

Backplate: Ø5" x .25"
 Materials: Hammered bronze, machined brass
 Bulbs: G9|110V|1.8W|2700K LED, Dimmable
 G9|220V|1.8W|2700K LED, Dimmable



UL, cUL (120V), CE, CB (240V) Certified

Inspiration

The Branching collection is the union of two seemingly disparate aesthetics - the industrial and the organic. The precise machined components contrast with hammered bronze shades, forged by hand in East Hampton, New York.



28 rue Jacob 75006 Paris contact@triodedesign.com
 +33 (0)1 43 29 40 05 www.triodedesign.com