

# PELLE

## STEM SHADE SCONCE

**Collection:**  
Stem

**Design Year:**  
2016

**Dimensions:**  
W 11.5in/29cm x D 15in/38cm x H 21in/53.3cm

**Weight:**  
7lbs/3.2kg

**Illumination:**  
Included: 1x LED G25 Bulb / Frosted / E26  
350 Lumens / 4W / 2700K / CRI 90+ / Dimmable  
Max. 75W per Bulb

240V upon request

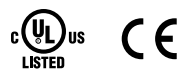
**Materials:**  
Brass or Steel Armature with Spun Brass Shade and decorative Leather coiling

**Metal Finish Options:**  
Satin Brass, Dark Bronze, Black Brass,  
White Powder Coat

**Decorative Coiling Options:**  
Natural Cotton Cord. White, Natural, Henna, Iris Blue,  
Dark Brown, Gray or Black Leather cord.  
Custom leather colors available upon request.

**Mounting:**  
W 3in/7.6cm x H 6in/15cm rectangular canopy with  
round arm in matching metal finish

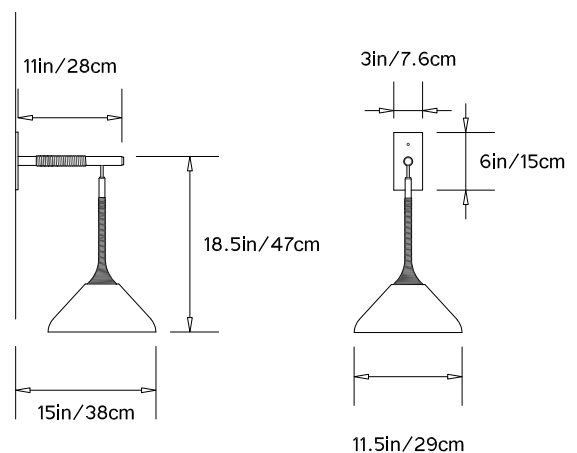
**Certifications:**



Made in New York



Pictured in Black Brass finish with Black Leather Coiling.



triode

28 rue Jacob 75006 Paris contact@triodedesign.com  
+33 (0)1 43 29 40 05 www.triodedesign.com

## STEM SHADE COLLECTION



Black Brass/Black Leather

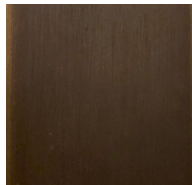


White Powder Coat/White Leather

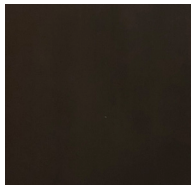
## Metal Finish Options



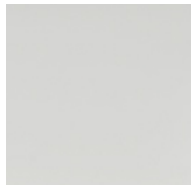
Satin Brass



Dark Bronze



Black Brass



White Powder Coat

## Decorative Coiling Options - Other colors available upon request



Natural Cotton

White Leather

Natural Leather

Gray Leather

Henna Leather

Dark Brown Leather

Iris Blue Leather

Black Leather

Note on leather coiling: As a natural product, leather is prone to some variations in color, texture and shade that may differ from the samples shown.