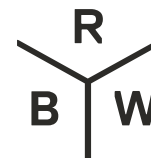


# Print Flush Mount

Ceiling Flush Mounts



50 Greene St  
New York NY 10013  
T +1 212 388 1621  
sales@rbw.com



For 2D & 3D drawings of all products, including CAD, Revit and IES files, please visit [rbw.com](http://rbw.com)

triode

28 rue Jacob 75006 Paris  
+33 (0)1 43 29 40 05

contact@triodedesign.com  
www.triodedesign.com

## DESCRIPTION

With high-performance LEDs enclosed in a unique, prismatic shade, Print is the classic globe, elevated. Its striking surface, achieved by acclaimed designer Sylvain Willenz, is imprinted with a diamond texture that creates an understated, sparkling play of light.

## MATERIALS

Glass, PET Plastic, Aluminum

## COLLECTION NOTES

Print sconce & flush mount with small globe are ADA compliant, the fixtures with large globes are not.

## PERFORMANCE

Large 2100 lm | Small 800 lm

Large 19.2W | Small 16.7W

8.5W

Large 247lm/W | Small 94.1 lm/W

Minimum 90 CRI

## LED LIFESPAN

50k hours

## PATENT FILE NUMBER

Patent Pending

## CERTIFICATION

ADA Compliant

UL Listed

CE

Suitable for Wet Locations

IP65



## PRODUCT DIMENSIONS

Large Globe 16"D x 12"H | Small Globe 8"D x 4"H

triode

28 rue Jacob 75006 Paris  
+33 (0)1 43 29 40 05

contact@triodedesign.com  
www.triodedesign.com

**PRODUCT WEIGHT**

6.5 lbs / 3 kg

**DIMENSIONAL WEIGHT**

Large 45.5 lb | Small 18.6 lb

---

YOUR PRODUCT CODE

**PRFM-B-CF-PC20-27-120\_TM\_DIN**

---

Specification Logic

**GLOBE**

---

Small Globe	A
Large Globe	B

**PRIMARY FINISH**

---

Clear/Frosted Glass	CF
Frosted PET	P2

**SECONDARY FINISH**

---

Matte White	PC20
-------------	------

**CCT**

---

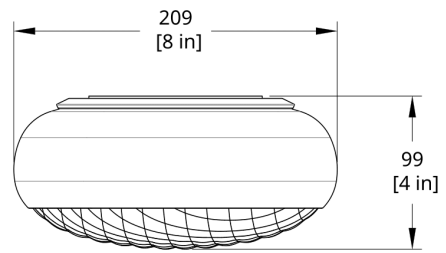
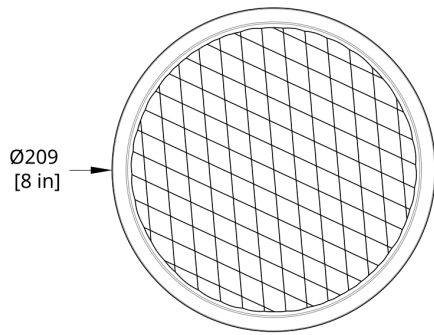
2700K (warm white)	27
3000K (soft white)	30
3500K (neutral white)	35
4000K (cool white)	40

**INPUT / CONTROL / POWER**

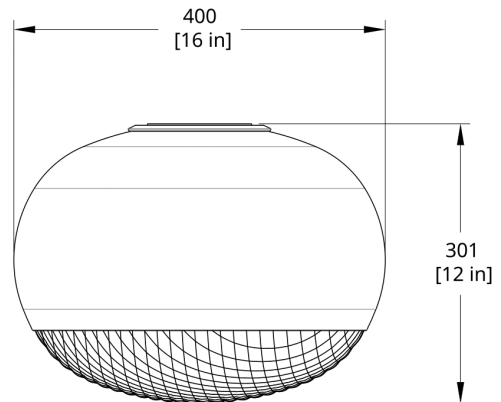
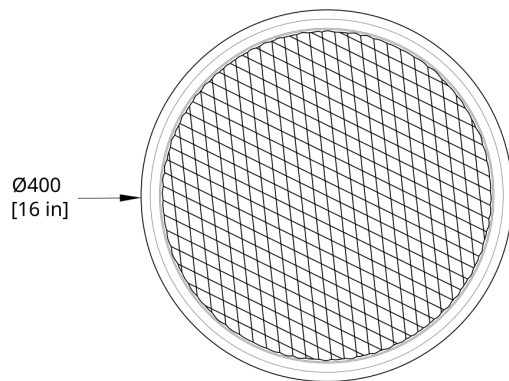
---

110-120V Input Triac / ELV / 0-10, 1% dimming	120_TM_DIN
220-240V Input 0-10V, 1% dimming	220_10_DIN
220-240V Input ELV Reverse Phase, 10% dimming	220_ELV_DIN
110-277V Input 0-10V, 0.1% dimming	277_10_DEX
110-277V Input Dali, 0.1% dimming	277_DL_DEX

# Drawings



PRFM-A Print Flush Mount Small



PRFM-B Print Flush Mount Large

triode